

LYVECO LED FLOODLIGHT

Model: 9741B, 9741W, 9742B, 9744B, 9746B

TÜVRheinland®

Dear valued customer,

Thank you for purchasing our floodlight. Before operating the floodlight, please read the following instructions carefully and keep them in a safe place for future reference.

Proper Use


The floodlight is spray-protected, IP54 and for use outdoors.

The floodlight conforms with the appropriate European CE regulations.

ATTENTION

Please read the following instructions carefully, to ensure that the mounting operation will be carried out in the correct way, and keep it for future reference .

The LED floodlight is waterproof IP54. Not suitable for use under harsh conditions.

 CE conformity with the appropriate European directives

Model	Rated Power	Product color	Power factor	Dimensions	Remark
9741B	10W	Black	0.5	89x125x30mm	External light protection class:IP54 Rated voltage:AC220-240V 50Hz Color: 6500K Beam angle:120° Body material:Aluminium
9741W	10W	White	0.5	89x125x30mm	
9742B	20W	Black	0.5	137x163x36mm	
9744B	30W	Black	0.9	186x201x45mm	
9746B	50W	Black	0.9	240x248x47mm	

GENERAL SAFETY INSTRUCTIONS

- Never look directly into the LED light source. The light emitted can contain the colour blue.
- must always be placed at least 1m away from the surface being illuminated in particular,the power cable must not be illuminated or come into contact with the metal housing maintain the specified minimum clearances.
- must only be used on flat, stable surfaces.
- use only with a sufficiently protected AC220-240V installation.
- must not be used in rooms that represent an explosion hazard (e.g.cabinetmaker's workshop, painting operation, or similar).
- must not be used in the immediate vicinity of flammable materials.
- must not be set up in the immediate vicinity of pools, fountains, ponds, or similar bodies of water.
- must not be immersed in water or other liquids.
- must not be operated with wet hands.
- must never be covered.
- must never be operated with an open housing, missing or damaged wiring compartment, or missing or damaged lens.
- must never be sprayed or cleaned using a steam pressure cleaner since this can damage the insulation and seals.
- must never be repaired by the user. Repairs must only be carried out by the manufacturer or an authorized service representative.

INSTALLING

Installation may only be carried out by trained professionals according to the applicable installation regulations. Contact a licensed electrician.



ATTENTION!! Before installation, the power supply must be disconnected and locked out.

- Turn OFF power supply, ensure all required equipment and tools are present.
- Connect the pre-wired cable to the electrical supply, observing the correct polarity.
LIVE = BROWN
EARTH = GREEN/YELLOW
NEUTRAL = BLUE

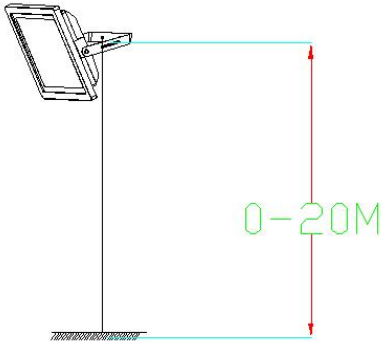


- Check connections and fixings.
- Turn on Power and operate the floodlight as required.

Setting the Floodlight Direction

Loosen the screws on the sides of the mounting brackets, adjust the floodlight direction, and then retighten all screws.

Range of mounting heights: under 20m



Suitability for use indoors.

If the external flexible cable or cord of this luminaire is damaged, it must be replaced by the manufacturer or his service agent or a similar qualified person in order to avoid a hazard.
The light source of this luminaire is not replaceable; when the light source reaches its end of life the whole luminaire shall be replaced.

⚠ Caution, risk of electric shock!

CLEANING

- Disconnect and lock out the power supply to the floodlight. Allow the floodlight to cool down sufficiently!
- Clean with a dry or slightly moist, clean, lint-free cloth and a mild detergent if required. Do not use cleaners that contain abrasives or solvents.

MAINTENANCE

- If the lens is damaged it must be replaced immediately.
- Clean any dirt from the housing or the lens immediately, since it could cause overheating.

Sensor Manual

The sensor should be installed by an electrician.

The lamp is equipped with a passive infra-red sensor. As soon as a person or a subject emitting heat enters the range coverage during darkness, the lights switches on automatically .

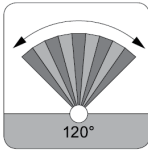
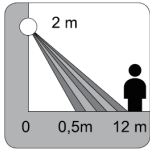
The light stays on as long as there is some movement registered. It goes off when the defined time is over. The built-in light sensor range coverage can be individually adjusted by the controls

Prior to Installation:

⚠ Please pay attention to the following points:

1. Do not fix the sensor too high, resulting in a too large range coverage, which would be followed by an

- unwanted turning on and off. The best results are shown within the 1.8 to 2.3M height range.
2. The range-coverage is influenced by the temperature. It can be greater in winter than in summer.
 3. Don't install the sensor near trees and bushes. The movement of the plants can result in unwanted turning on and off.
 4. The sensor is more sensitive to sideway movements than forward and backward movements.
 5. You can reduce the range coverage by mod-ifying the controls, or by covering some parts of the lens



Technical details:
 Range coverage: 120°
 Distance: 0,5-12M
 Time setting: 2 sec to 600 sec
 IP protection: IP54
 Power: AC220-240V 50Hz



TIME You find the time setter on the side of the sensor. (-) -- (+) It regulates the duration of the light stays on. The sensor restarts counting every occasion there is a movement within its cover range.



LUX Light intensity adjustable knob.
 The main function is that adjust the sensors to work in different light intensity.
 Position means that the sensors will start work when light intensity less than 100 lux.



SENS Sensitivity:
 The detection range can be set by adjusting the regulating dial "SENS" to the positions (-) — (+).
 The position "MIN" means that the equipment detects objects in a distance of up to 0,5M. The position "MAX" means that the equipment detects objects in a distance of max. 12M. The sensor does not work in daylight.

WEEE-REQUIREMENTS OF DISPOSAL



In accordance with European regulations used electrical and electronics devices may no longer be placed in the non recycling bin waste. The symbol of the waste bin on wheels refers to the necessity of separate collection.
 Please help with environmental protection and ensure the equipment is recycled correctly.
 GUIDELINE 2012/19/EU of the EUROPEAN PARLIAMENT AND the COUNCIL of January 27th 2003 about electrical and electronics old devices.

Importer: Lyveco
 Lyden House
 Harlow CM20 2BS

Lyveco
 www.Lyveco.com